



STANDARD CRANES

Lifting
your
world.



943805660



15/15t



GH
CRANES & COMPONENTS



GHE
www.ghcranes.com

16t

Contents

INTRODUCTION	4
BRIDGE CRANES	10
GANTRY CRANES	14
WALL TRAVELING JIB CRANES	18
CRANES BY TYPE OF GIRDER	20
AVAILABLE CONNECTIONS BETWEEN THE GIRDER AND END TRUCK	21
MOST COMMON STANDARD OPTIONS	22
GH EXTRAS	24
HIGHER PRODUCTIVITY	26
SAFETY AND ACCESSORIES	27
INNOVATION TOWARD INDUSTRY 4.0	28
GH GROUP	30



Standard cranes

RELIABLE LIFTING SOLUTIONS THROUGH STANDARDIZATION

We have standard SOLUTIONS in place for Gantry and Wall Traveling Jib Cranes, in addition to Overhead Cranes – these are proven SOLUTIONS that reduce lead time and cost due to basic engineering and sourcing already being defined.

At GH, our goal is to provide each of our customers the individually tailored SOLUTION that they need.

Our machines are designed and built to be reliable and durable.

We always focus on how to increase your productivity, decrease your cost of operations, ensure your people's safety, and minimize environmental impact.

GH Cranes & Components has a national service network to provide guaranteed Original Equipment spare parts and experienced service technicians to perform inspections, preventive, and emergency maintenance where and when service is needed.

All of this is in place – for MAXIMUM RELIABILITY and UPTIME.



PROXIMITY

To offer the best possible service, we think it's important to be close to our customers, to the realities and the needs of their business.



QUALITY

We are committed to offering quality and innovative technological solutions.



PERSONALISED TOUCH

We are a team of individuals committed to offering our customers the highest quality and best service.





BRIDGE
cranes



GANTRY
cranes



WALL RUNNING
cranes



65 YEARS DESIGNING AND MANUFACTURING CRANES



The commitment to being one step ahead has made us pioneers in the application of new technologies for our standard product.

Our standardized approach is not only broad in scope and offering, but also deep. We engineer, manufacture, and continuously improve components that others can only purchase.

Manufacturing the components ourselves allows us to innovate, which provides advantages to our customers in terms of cost, production, and safety.

We were the first to include variable frequency drives in all crane movements.

Our COREBOX has recently been developed – which is GH's own intelligent control unit, and allows the crane's operation to be monitored, both locally and remotely, through 4G connectivity.

Members of:



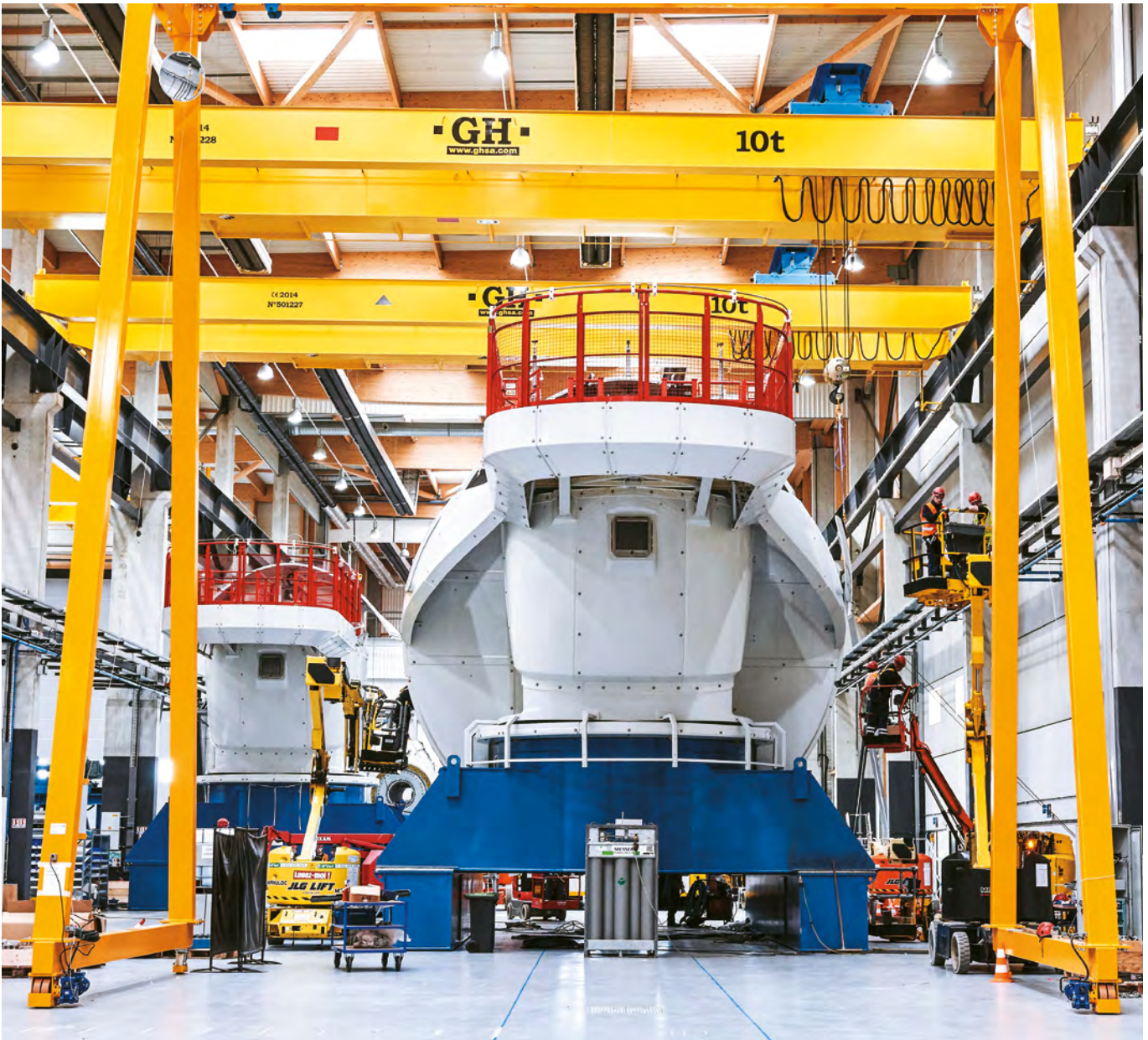


CE 2010
N°94606

GH
94382660

70/100

15/15t



THE DEMANDS MADE BY OUR CUSTOMERS IS A GREAT MOTIVATION!

Working for leading companies in different sectors gives us great satisfaction but it is also a great challenge. They know better than anyone what they need. They require quick responses and efficient solutions. The fact that they put their trust in us is the highest endorsement.

SOME OF THE CUSTOMERS WHO **PUT THEIR TRUST IN GH**

- ACCIONA
- ACERINOX
- ACEROMEX
- ACEROS AREQUIPA
- AÇOTEL
- AERIS ENERGY
- AIRBUS
- AKE INFRASTRUCTURE
- ALSTOM
- AQUALIA
- ARCELORMITTAL
- AUBERT & DUVAL
- AVIANCA
- BOUYGUES
- BREMBO
- BUDIMEX
- CAF
- CATERPILLAR
- CEMENGAL
- CHANTIERS DE L'ATLANTIQUE
- CIE AUTOMOTIVE
- GRUPO PRIFER / J. PRIOR
- CODEME
- COMANSA
- COPACHISA
- COSENTINO
- DANFOSS
- DANOBAT
- DOOSAN
- ELECNOR
- EMBRAER
- FAURECIA
- FIAT
- FINANZAUTO
- FCC
- FERROVIAL
- FUNDIFAS
- GAMESA
- GENERAL DYNAMICS
- GENERAL ELECTRIC
- GESTAMP
- GPI TANKS
- GUARDIAN GLASS
- HARBIN HAFEI
- AIRBUS COMPOSITE
- HEIMBACH
- HONGDU AVIATION
- HYUNDAI
- INDAR
- JIULI
- KOMATSU
- KONSORCJUM STALI
- LIEBHERR
- LLAXTA
- MAHINDRA
- METALS USA
- MOLDTECH
- MTU
- NAVANTIA
- NATIONAL OILWELL VARCO
- NISSAN
- NOVARES
- NORDEX
- PICHON
- PORT OF HOUSTON
- POWER ELECTRONICS
- RENFE
- RSTEEL FÁBRICA DE TUBOS METÁLICOS
- SAICA
- SAKANA
- SAMASZ
- SEAT
- SERMEFIT
- SIDERPERU
- SHIMIZU
- SHOUGANG
- SIAM CEMENT GROUP
- SIEMENS
- SOFIDEL
- STADLER RAIL
- STALPROFIL
- STECON
- TALGO
- TECNOARANDA
- VALE
- VOLVO
- WUTKOWSKI



Bridge Cranes

Bridge Cranes have robust construction and a high level of standardization. They are modular and adaptable to any need and use very reliable components for a wide range of applications.

The optimized combination of the structure of the cranes with the mechanical equipment for lifting and traveling allow maximum coverage and the best use of floor space.

Bridge cranes are divided into two groups according to their construction:

SINGLE GIRDER BRIDGE CRANE

The construction of standard cranes using a single girder makes them ideal for achieving the maximum use of spaces in combination with the new range of wire rope hoists, in addition to making them lighter.

DOUBLE GIRDER BRIDGE CRANE

For double girder cranes, software systems are used to optimize the crane's design, thus reducing the loads on the structure, and which offers greater stability for handling bulky loads.





TOP RUNNING CRANE

The crane is supported and travels on two rails.

This is the preferred SOLUTION for most customers.

It is easy to integrate into many building structures.

Top running cranes are the most suitable for high-capacity requirements.



LIFTING CAPACITY:
SINGLE GIRDER 1 – 20 Tons
DOUBLE GIRDER 1 – 70 Tons



SPAN:
UP TO 130 FT

Other capacities and spans are available on request.

Options include our TWIN HOIST (up to 200 Tons) and custom open winches (up to 400 Tons)

SINGLE GIRDER TOP RUNNING CRANE



DOUBLE GIRDER TOP RUNNING CRANE



UNDERHUNG CRANE

The crane runs suspended from its rails, which are generally built into the roof structure of the building.

It is a good option when there is no possibility of building a supporting structure for a top running crane.

The girder may be lengthened, providing a cantilevered operating position for the hoist to access areas requiring extended reach, and even carry out transfers of hoist between cranes.



LIFTING CAPACITY:
SINGLE GIRDER 1 – 20 Tons
DOUBLE GIRDER 1 – 70 Tons



SPAN:
UP TO 130 FT

Other capacities and spans are available on request.

Up to 25 Tons in single and double girder options.

SINGLE GIRDER UNDERHUNG CRANE



DOUBLE GIRDER UNDERHUNG CRANE





Gantry Cranes

GH is a World leader in the design and manufacture of gantry cranes with a large number and variety of applications.

We adapt our gantry cranes to the needs and circumstances / requirements of each customer, always considering the type of work to be carried out and the load to be handled.

The experience acquired since 1958 is why we are specialists in gantry and semi-gantry cranes.

Gantry cranes are divided into two groups according to their construction:

SINGLE GIRDER GANTRY CRANE

A single girder gantry crane combines value and optimum use of space.

DOUBLE GIRDER GANTRY CRANE

Double girder gantry cranes offer greater stability for handling bulky and heavy loads, through an optimized crane structure. A double girder design is the preferred SOLUTION for high-capacity gantries.





GANTRY CRANE

Gantry cranes have legs on both ends of the crane, running on tracks at ground level. Gantries are the SOLUTION for outdoor work, not requiring a building to support the crane



LIFTING CAPACITY:
SINGLE GIRDER 1 – 20 Tons
DOUBLE GIRDER 1 – 70 Tons



SPAN:
UP TO 115 FT

Other capacities and spans are available on request.

Options include our TWIN HOIST (up to 200 Tons) and custom open winches (up to 400 Tons)

SINGLE GIRDER GANTRY CRANE



DOUBLE GIRDER GANTRY CRANE



SEMI-GANTRY CRANE

A semi-gantry crane is supported by runways at different heights. Usually, the lower runway is on the ground, and the upper runway is on a runway beam attached to the structure of the building. The lower runway can be replaced by wheels of special material.

They are a very practical SOLUTION when it is not necessary to cover the entire width of the building.



LIFTING CAPACITY:

SINGLE GIRDER 1 – 20 Tons
DOUBLE GIRDER 1 – 70 Tons



SPAN:

UP TO 115 FT

Other capacities and spans are available on request.

Options include our TWIN HOIST (up to 200 Tons) and custom open winches (up to 400 Tons)

SINGLE GIRDER SEMI-GANTRY CRANE



DOUBLE GIRDER SEMI-GANTRY CRANE



Wall traveling Jib Cranes

Wall Traveling Jib cranes are a good SOLUTION when you want to provide crane service for several workstations without having to cover the entire width of the building, or when there are mobility limitations at ground level.

Our standard wall traveling jib cranes can be designed and used in conjunction with other cranes to create a total material handling SOLUTION for your facility.



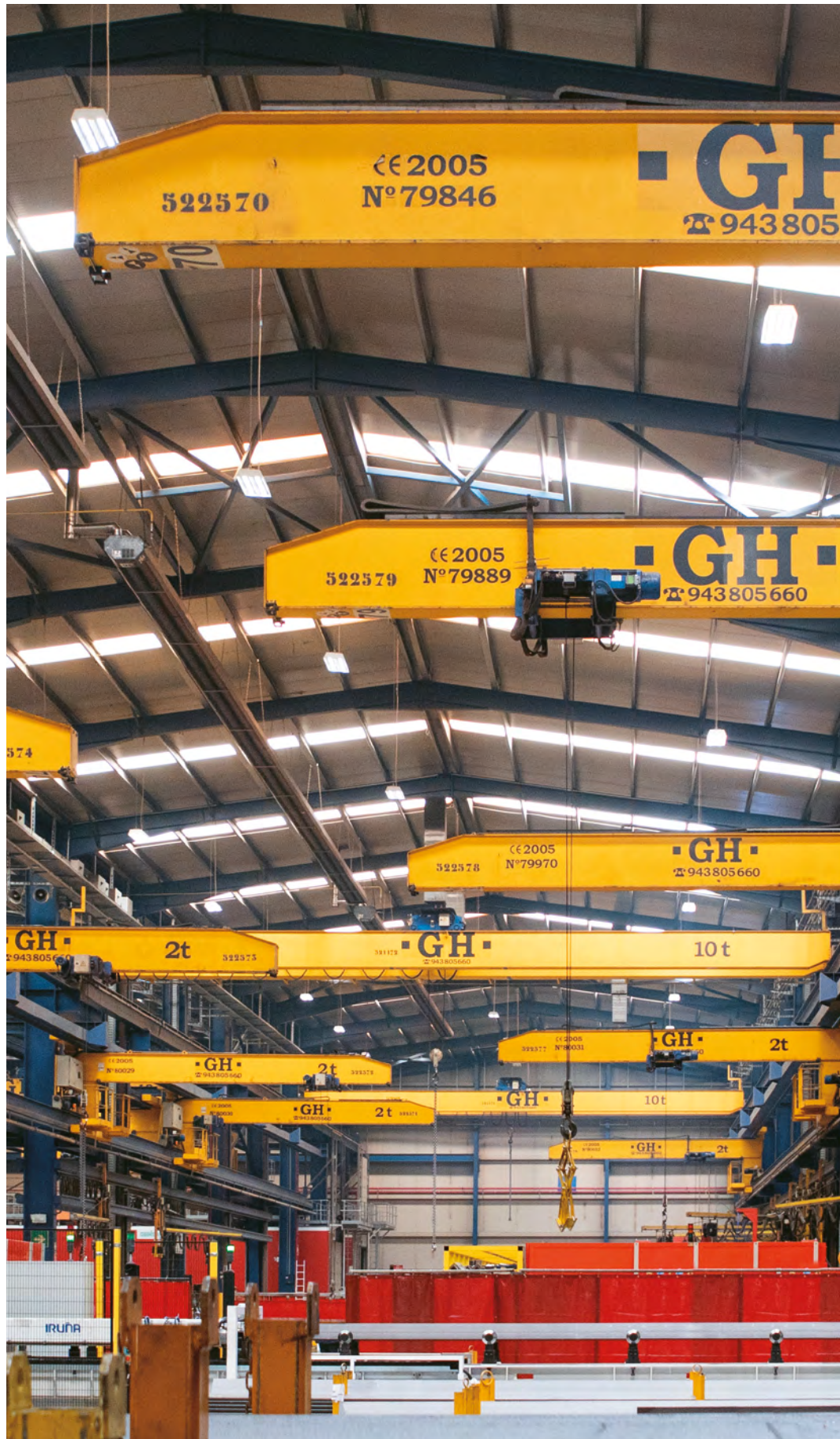
LIFTING CAPACITY:
1 – 5 Tons



BOOM LENGTH:
UP TO 26 FT

Other capacities and spans
are available on request.

Up to 10 Tons in single and
double girder options.





SINGLE GIRDER WALL TRAVELING JIB CRANE



This is the simplest and lightest weight SOLUTION for wall traveling jib cranes.

DOUBLE GIRDER WALL TRAVELING JIB CRANE



This SOLUTION is recommended for higher capacities, and when maximum stability of the load is required.

CRANES BY TYPE OF GIRDER

GH Cranes & Components has optimized the design of its girders by combining the most advanced design software with its experience of more than 65 years manufacturing cranes to create a market leading

SOLUTION for your material handling needs. Depending on the type of crane, either box-type girders or wide flange beams may be used, in either a single girder or double girder configuration.

BOX GIRDER

These girders are fabricated using steel plates, welded together, to make a rectangular box section.

This structural design offers a lower girder-weight-per-linear-foot than Wide Flange girders, reducing the weight of the crane, and the resulting loads carried by the building.

This design is most suited for higher capacities and longer spans.

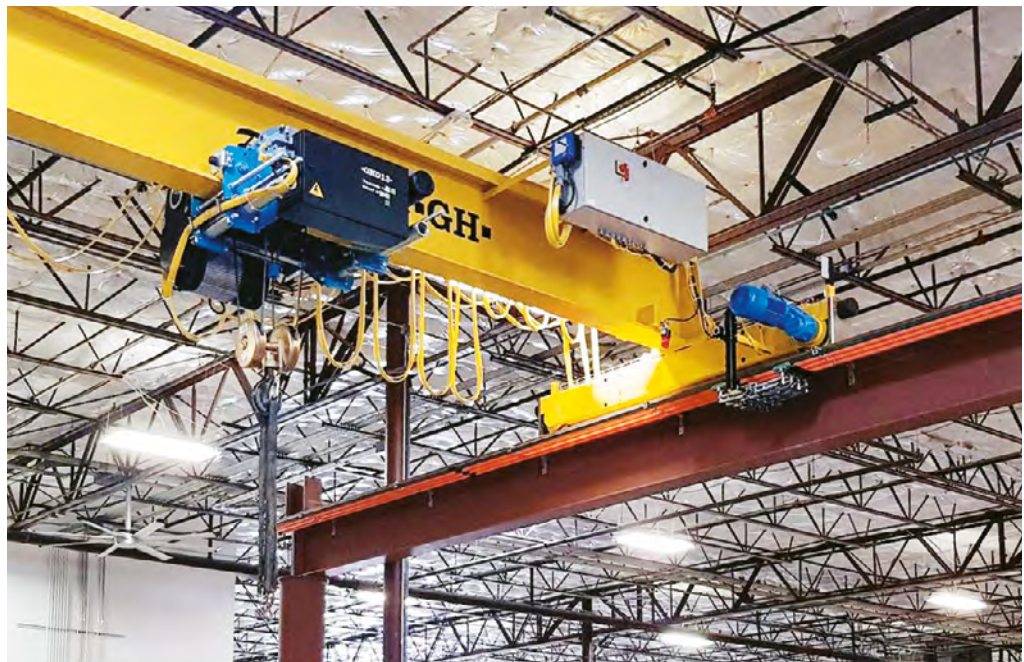


WIDE FLANGE

Girders of this type are made from commercially available rolled sections, such as beams or channels.

These are easy to manufacture and offer faster delivery.

Cranes made from these sections are most suitable for lower capacities (20T and less) and shorter spans (commonly 60' and less).

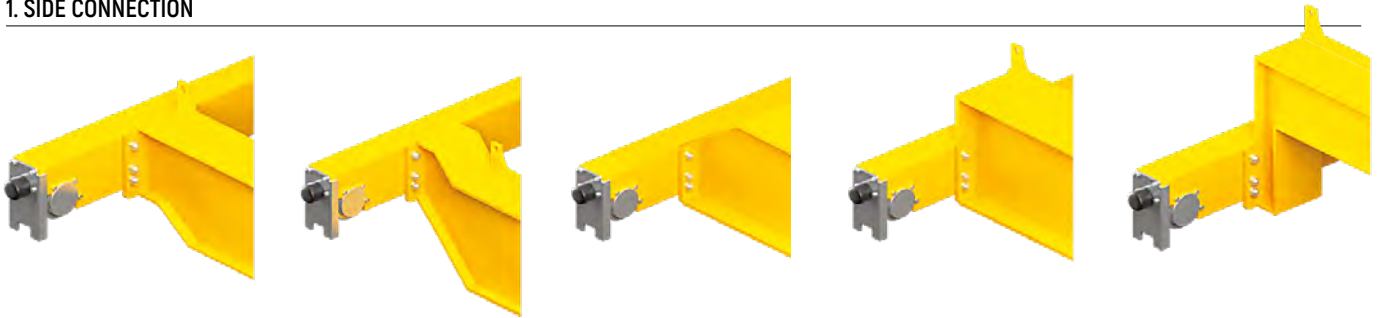


AVAILABLE CONNECTIONS BETWEEN THE GIRDER AND END TRUCK

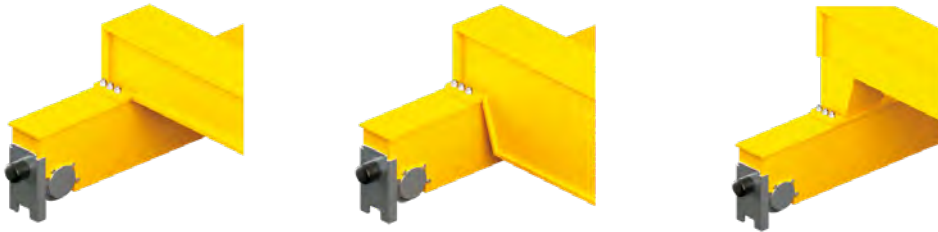
We have developed multiple connection SOLUTIONS to ensure optimal use of the space available in the building.

TOP RUNNING CRANE

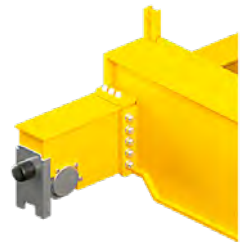
1. SIDE CONNECTION



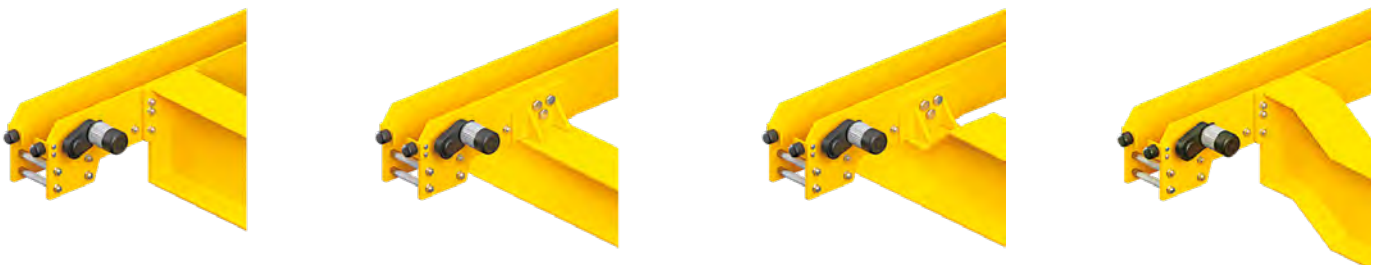
2. TOP CONNECTION



3. TOP AND SIDE CONNECTION



UNDERHUNG CRANE



MOST COMMON STANDARD OPTIONS

We can add to our standard cranes models many standard options, creating a unique SOLUTION for the customer's needs:



CRANE WITH TWO TROLLEYS



CRANE WITH TWO HOISTS ON ONE TROLLEY
with the two hoists having the same capacity or different capacities.



SERVICE PLATFORMS



TROLLEY "CRADLED" BETWEEN TWO GIRDERS
allowing lower total headroom for the crane.



CRANE WITH DOUBLE END TRUCKS (EIGHT WHEELS)



CRANE WITH ROTATING TROLLEY

STANDARD ENVIRONMENTAL CONDITIONS

The **standard working temperature range** of our cranes is from 0°F to 104°F, both for indoor and outdoor use.

The **standard range of working altitude** of our cranes is from 0 to 3,300 feet above sea level.

OTHER POSSIBLE CONDITIONS

Other temperatures and altitudes are possible by making minor modifications to the crane.

We can also adapt our cranes for use

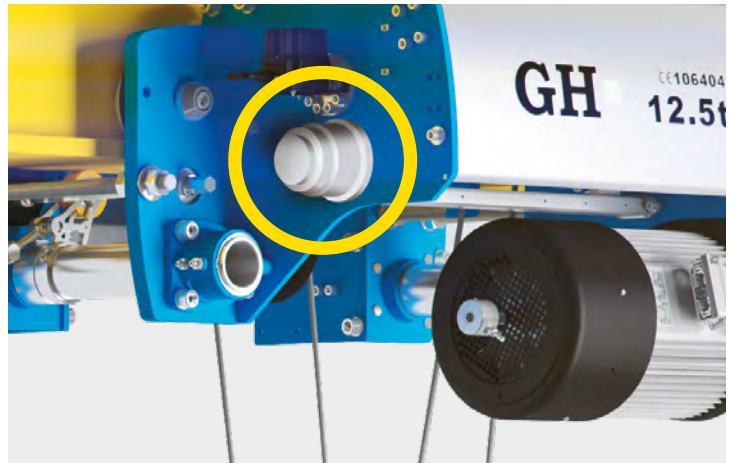
in environments classified as GALVANISED, MARINE and CORROSIVE, etc. including the necessary protection to qualify for categories C2, C3, C4, C5(I) or C5(M) according to the UNE-EN ISO 12944-2 standard.

GH EXTRAS TO MAKE OUR MACHINES EVEN MORE EXTRAORDINARY



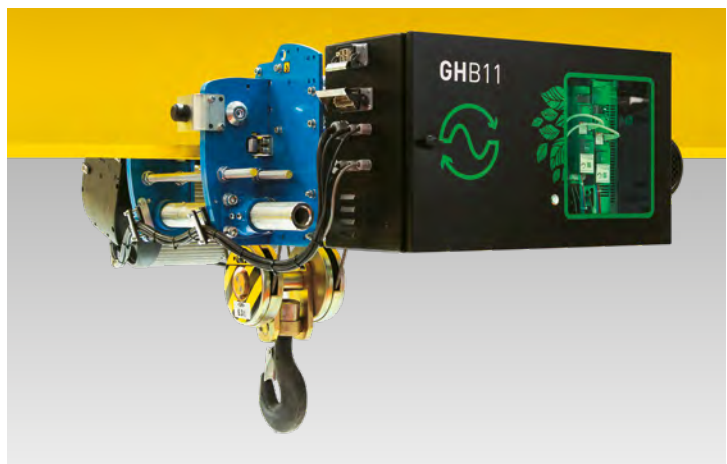
SECONDARY LOAD BRAKE

The secondary load brake is a mechanical system that uses and reacts based on the centrifugal force of a falling load. It is an independent braking system, gear driven by the hoist drum.



REGENERATIVE DRIVE

The incorporation of regenerative modules in the drives allows us to recover the braking energy in the form of electricity that the crane returns to the grid. The advantage for the customer are energy savings, environmental sustainability, and a reduction of the facility's electric bill.



INCOTANDEM

INCOTANDEM is a 2-crane control (master/slave) system, providing control and synchronization of the movements of two cranes working in tandem. It makes it possible to control the movements of two cranes from one radio control – reducing the number of radio frequencies used, and the number of control systems to install, commission and maintain.



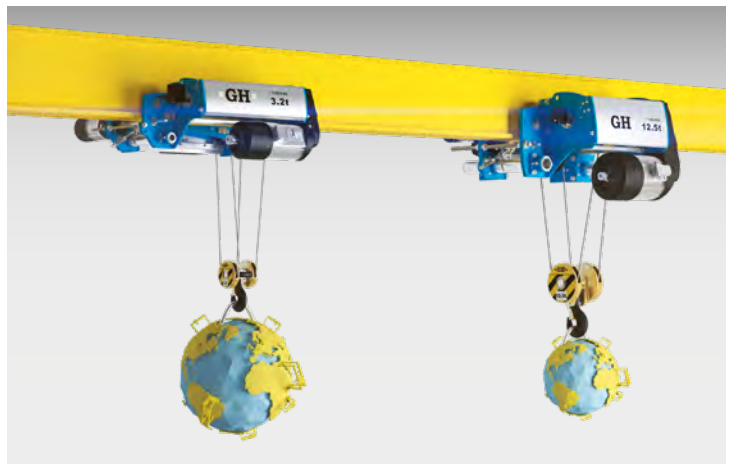
CORE+ STABILITY

CORE+ STABILITY helps keep the load stable at higher speeds. The system automatically reduces the natural swaying of the load, normally caused by the acceleration and braking movements of the trolley and crane. This additional control system allows increased productivity and work area safety.



CORE+ SYNCHRO

CORE+ SYNCHRO is an addition to our standard control system which manages two hoists (of the same or different capacities) on one crane. The hooks of the two hoists are automatically maintained at the same distance and same elevation relative to each other, increasing productivity and safety, and providing ease of control for the operator.



HIGHER PRODUCTIVITY

HIGHER PRODUCTIVITY FOR THE SAME PRICE.

At GH we know that producing more in less time is what our customers dream of. That's why we were the first to incorporate a variable frequency drive in lifting as standard. This enables us to increase the speed without load by 60% and improve the precision. GH also provides a higher standard travel speed than the competition.

RESULT: 25% more productivity*

INCORPORATION OF A SERIES OF SYSTEMS THAT FACILITATE SAFE USE AND PROLONG THE LIFE OF THE MACHINES.

At GH we don't think that safety is an option. It's an obligation. That's why our machines have a variable frequency drive in lifting for normal braking, and an electromagnetic brake only for parking and emergency braking. Additional standard safety features are the hoist upper and lower geared limit switch, ball limit switch, and the load limiter system.

RESULT: increased safety and greater durability.

INTELLIGENT SYSTEMS AS STANDARD.

Preventing problems is much better than correcting them. That's why we have developed an intelligent control unit which is unique in the market.

COREBOX.

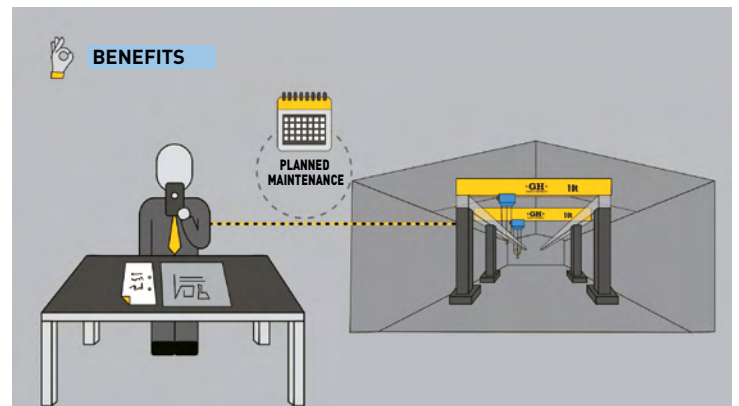
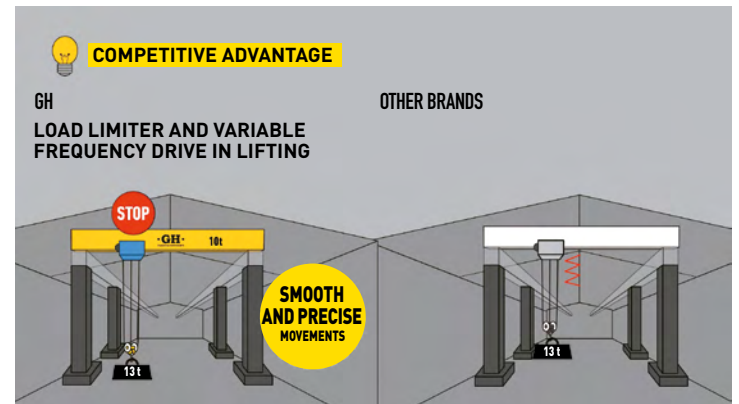
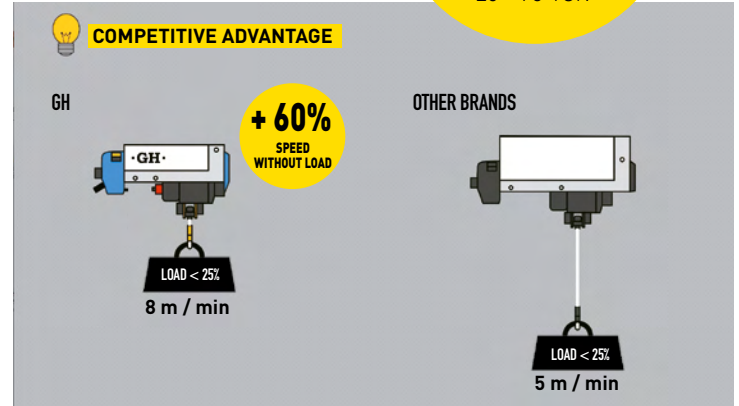
It also has logging, connectivity, operational and safety functionality.

In this way, the GH customer knows about the status of the machine in real time and can plan maintenance.

RESULT: increased productivity with lower costs.

**VARIABLE SPEED
DRIVE IN LIFTING UP
TO 20 TON INCLUDED**

Optional
25 - 70 TON



*Productivity increase calculated in a typical cycle, with vertical travel of 8 feet and bridge travel of 130 feet.

SAFETY AS A MATTER OF PRINCIPLE

Or, safety from the beginning. At GH, we don't think safety is an option. It's an obligation. That's why our standard SOLUTIONS provide benefits for your employees and your equipment.



ELECTRONIC LOAD LIMITER



EMERGENCY STOP PUSH-BUTTONS



TROLLEY AND CRANE TRAVEL LIMIT SWITCHES



LIFTING LIMIT SWITCH



ANTI-COLLISION CELL



LIGHT AND ACOUSTIC SIGNAL

ACCESSORIES

We like to take care of every last detail. Our cranes, in addition to being robust and safe, have an extensive catalog of accessories to provide even better performance. These SOLUTIONS have been designed by GH and work with GH Cranes – in a seamless and thoroughly integrated fashion.



RADIO CONTROL



INTEGRATED ACCESSORY MANAGEMENT



INTEGRATED ACCESSORY MANAGEMENT



LED LIGHTING



WEIGHT DISPLAY



STAINLESS STEEL CABINET



PARKING DEVICE



ANEMOMETER

Innovation toward **Industry 4.0**

COMMITTED TO THE FUTURE

GH continuously researches and implements environmental sustainability and "industry 4.0" concepts, such as integrating and making machinery communicate together, to connect us with, and protect us, in the future. We are committed to these principles in a never-ending drive to provide value and positively impact the bottom line of our customers.



CoreBox. The new generation of electronic load monitors that allows you to manage and control your cranes wherever you are.

COMMITTED TO SUSTAINABILITY

Our R&D strategy and our clear commitment to being a comprehensive manufacturer has led us to incorporate elements into our products that favor environmental sustainability and respect for energy efficiency standards, without being a detriment to our effectiveness and ability to provide added value to all of our customers.

The recovery of energy puts us at the forefront in terms of our commitment to sustainability.

**ENVIRONMENTAL
MANAGEMENT
SYSTEM CERTIFIED
ACCORDING TO:
EN-ISO-14001**



Regenerative drive. Energy savings, providing cost savings and environmental sustainability.



1 **Web configurator** that allows us to provide a crane quote, anywhere in the world, at any time.



2 **Tools for calculating structures** using the finite element method.



3



Metrology laboratory: for the dimensional control of parts.

Real-time monitoring of the manufacturing status.

Lasertracker: Dimensional control of the cranes.



4 Once the crane is in service:



With the **"Service Mobile" app** we manage preventive and corrective maintenance activities.



Customer Portal. A platform with comprehensive, up-to-date information about the crane accessible by GH and the customer.



Remote monitoring of the crane's operational data in real time. Making predictive and corrective maintenance more effective.

COMMITTED TO PROVIDING A COMPLETE SOLUTION FROM INITIAL INQUIRY THROUGH LONG TERM SERVICE SUPPORT

From the moment the quote is generated, the customer becomes an essential partner in our entire process - from specifying and ordering the crane, through manufacturing and our quality assurance of the crane, and into monitoring and maintaining the installed crane.



GH Group

6 BUSINESS UNITS

HISTORY

GH CRANES & COMPONENTS is a family business with more than 65 years of experience in the market, having become one of the world leaders in the lifting and material handling industry (hoists, bridge cranes, automotive gantries, transfer carts) which operates around the world with more than 850 employees. The headquarters are in Spain, and the company has 10 manufacturing plants distributed throughout the world in the markets considered to be of greatest strategic importance.

The growth of GH Cranes & Components has been supported by the development of a robust after-sales service organization. This ensures that each customer can enjoy using our cranes every day for many years.



STANDARD SOLUTIONS



SPECIAL SOLUTIONS



COMPREHENSIVE MANUFACTURERS OF COMPONENTS AND MECHANISMS



GH MOTION MOBILE SYSTEMS



GLOBAL SERVICE



EX SOLUTIONS
ATEX
IECEX

GH PRODUCTS

- / Bridge cranes
- / Gantry cranes
- / Wall running cranes
- / Motorized trolleys
- / Hoists: wire rope and chain

- / Jib cranes: industrial and lightweight
- / Process cranes with open winch
- / Automotive gantry cranes: marine and industrial

- / Dry docks
- / Rails and runway structures
- / Electricity supply system
- / Crane components
- / Lifting accessories

125,000+
CRANES SOLD
WORLDWIDE

MORE THAN 65 YEARS IN THE LIFTING MARKET MEAN THAT EXPERIENCE IS OUR GREATEST ASSET.



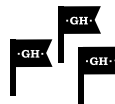
MORE AND MORE PLACES, CLOSER AND CLOSER TO OUR CUSTOMERS



10 MANUFACTURING PLANTS IN STRATEGIC MARKETS



DIRECT PRESENCE WITH OUR OWN COMMERCIAL SUBSIDIARY IN **15** COUNTRIES



COMMERCIAL PRESENCE IN MORE THAN **70** COUNTRIES WITH OUR LOCAL PARTNERS

IN THE **TOP 5**

OF **CRANE MANUFACTURERS** WORLDWIDE



WE ARE THE **LEADERS** IN PORTUGAL AND SPAIN

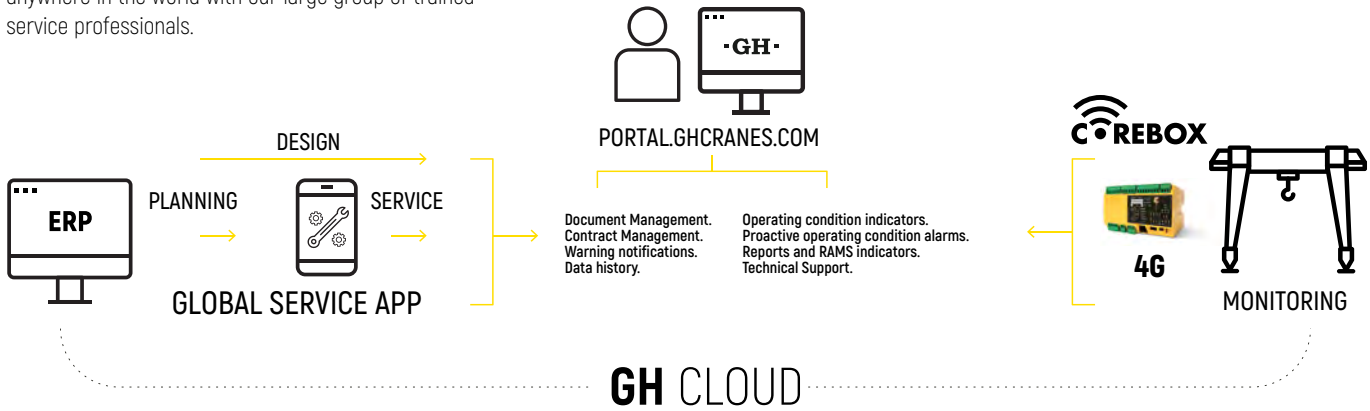
Locally based service

SERVICE ANYWHERE IN THE WORLD



Our structure, as the manufacturer of all our products, positions us as a leader in our industry. This is supported by our development of a world-wide GH Cranes service network to respond to all the needs of our customers.

GH CRANES & COMPONENTS is prepared to provide support anywhere in the world with our large group of trained service professionals.



QUALIFIED PROFESSIONALS

Our service group is a result of the commitment we make to our customers – for whom we aim to minimize downtime by acting before problems occur with predictive and preventive actions and maintenance, and made possible through the communication and integration SOLUTIONS and methods via industry 4.0.





www.ghcranes.com

GH
CRANES & COMPONENTS